

**ESM-10 “RadMan Mobile”
ESM-20 “RadMan”
ESM-30 “RadMan XT”
Radiation Monitor**

Operating Manual

DE Patent 19726138

US Patent 5955954

2250/98.21



Item number ¹	Meaning
A	Threaded bush for tripod or extension rod
B	Eyelet for fixing the absorber cap to the ESM using nylon cord
C	Yellow absorber cap with fixing clip
D	Isotropic E-field probe
E	Isotropic H-field probe
F	Loudspeaker with earphone connector
G	LEDs for displaying alarm stages and operation ("heartbeat")
H	Indication of applicable standard and frequency range
I	Eyelet for fixing the absorber cap to the ESM using nylon cord
J	Optical interface (including cover) for reading out measurement values ESM-30 only: Also for data recorder configuration and readout
K	On / off switch
L	Battery compartment
1 See the illustration on the inside back cover of this manual.	

**ESM-10 “RadMan Mobile”
ESM-20 “RadMan”
ESM-30 “RadMan XT”
Radiation Monitor**

2252/xx

2250/xx

2251/xx

Operating Manual



If you have any questions, please
contact your local sales office.

Narda Safety Test Solutions GmbH
Sandwiesenstr. 7
72793 Pfullingen, Germany
© 2016

Author: Joachim von Freeden
Translators: John Nutley/Gary Hess

Order no.: 2250/98.21

Edition: 12/16.05

Previous Edition: 11/06.05

Subject to change without notice
Our normal guarantee and delivery
terms apply

Printed in Germany

Contents

Application and use	5
Functions and features	7

Introduction

Correct usage	9
Warning instructions	10
Disposal in accordance with local regulations	15

Safety

Packing, Pack contents, Transport	17
Storage, Power supply	18

**After
unpacking**

Controls and displays	19
Switching on ESM “RadMan”	20
Normal operation	22
ESM-30 only: Data recorder	24
Operational readiness, Max Hold	25
Applications and use	27

**Operation
and use**

Checking field probe function	39
Repairs, Cleaning	41
Calibration	42
Changing the batteries	43

Maintenance

Specifications	45
General information	51
ESM-10 Declaration of Conformity	53
ESM-20 Declaration of Conformity	54
ESM-30 Declaration of Conformity	55

**Specifi-
cations**

Instrument versions	56
Accessories	59

**Ordering
Information**

About this manual

The ESM-30 “RadMan XT” differs from the ESM-20 “RadMan” and ESM-10 “RadMan Mobile” because it includes an additional data recorder. The term ESM “RadMan” is used in this manual to refer to all three versions.

Information that only applies to the ESM-30 “RadMan XT” is prefaced by “ESM-30 only”.

Information that only applies to the ESM-10 “RadMan Mobile” is prefaced by “ESM-10 only”.

Application

Early warning is required wherever humans are likely to be directly threatened by the presence of strong electromagnetic fields.

Antenna and radar equipment and machines which use strong electromagnetic fields to heat, weld or bond materials are typical sources of dangerous electromagnetic fields.

The ESM “RadMan” is a small, handy test and warning instrument which provides safe and timely warning of electromagnetic fields in these areas of application.

ESM “RadMan” measures according to the usual standards covering exposure to electromagnetic radiation.

Application and use

Use

The handy shape of the ESM “RadMan” makes it ideal for three main areas of use:

- As a warning unit – ESM “RadMan” is worn on the body by attaching it to clothing using the clip or to a belt using the belt pouch supplied.
- As a monitor unit – ESM “RadMan” is used to check beforehand that limit values are not exceeded in areas where humans are present.
To reduce the effects due to the body as far as possible, ESM “RadMan” is held at arm’s length or the extension rod is used (option).
- As a locating unit – ESM “RadMan” can be used to locate leaks on waveguides and coaxial screw connectors.
- ESM-30 only:
As a data recorder – ESM-30 “RadMan XT” automatically records all measurement values continuously. The data can be displayed and evaluated on a PC using the ESM-TS Interface Set, which is available as an option. All evaluations can be summarized in a report.

Functions and features

In contrast with other instruments, the six sensors of the ESM “RadMan” independently monitor all the components of the electric and magnetic fields of a signal. This means the device can always measure the strongest field component. ESM “RadMan” measures isotropically, i.e. non-directionally.

International and national bodies have set different limit values for permissible electromagnetic radiation levels in various standards and regulations. Different versions of ESM “RadMan” are available to cover these differences (see page 56).

Power is supplied from two standard batteries, giving a typical operating time of 200 hours.

A wide range of accessories ensures that the unit can be optimized for each particular type of application.

Notes:

This instrument left the factory in perfect condition. To ensure safe usage and to preserve it in good condition, please follow the safety instructions below.

The instrument must only be used under the conditions and for the purposes for which it was designed. For more information, see page 22 onwards, page 28 onwards, page 45 onwards.



Warning

- Operation outside these conditions may be dangerous or may result in damage to the instrument.
 - ⇒ Make sure that the instrument is operated within the limits for ambient conditions.
 - ⇒ Make sure that the specified measurement range is not exceeded.
 - ⇒ Always make sure that the instrument is in good condition before switching it on.



Warning

General instructions governing the use of field strength measuring equipment

- Do not touch or use the field strength meter to touch items carrying dangerous voltages.
- Make sure that you know which laws, standards and regulations apply in your area. Read the operating manual carefully and seek expert advice if anything requires clarification.

A selection of current standards and regulations is listed in this manual (see page 38).

- Be advised that working in the vicinity of strong radiation sources can endanger life.
- Be advised that persons fitted with electronic implants such as heart pacemakers may be especially at risk.
- Observe the local safety precautions specified by the operator of the plant or equipment.
- Make sure you follow the operating instructions when using equipment which generates, transmits or uses electromagnetic energy.

Warning instructions

- Never place or hold field strength measuring equipment inside field generating equipment or machines (e.g. microwave ovens or induction furnaces) as this may result in destruction of the field strength measuring equipment which is not designed to withstand field strengths intended for materials processing.
- Be advised that field strength increases rapidly in the near-field region (the field strength will be eight times higher if you halve the distance to the source). Enormous field strengths can occur in the immediate vicinity of radiation sources (e.g. leaks in waveguides, induction furnaces).
- All field strength measuring equipment has a limited and specified frequency range. Fields with spectral components outside this frequency range will normally not be evaluated correctly and may be underestimated. Before using field strength measuring equipment, make sure that all the field components to be measured are within the specified frequency range of the measuring equipment.
- Be advised that secondary radiators (reflecting objects, such as a metal fence) may result in local amplification of field strength.

Warning instructions



Warning

- The safety of persons within electromagnetic fields must not be based purely on the measured values produced by field strength measuring equipment, since the built-in redundancy is not sufficient to ensure that the instruments will always function correctly at all times.
- Be advised that the electromagnetic field strength may be underestimated by the field strength measuring equipment if your body is interposed between the radiation source and the field strength measuring equipment.
- Be advised that field strength measuring equipment cannot cover all aspects of a standard or regulation. Please therefore check the specifications to ascertain the extent to which the field strength measuring equipment meets the requirements of the applicable standard.
- Be advised that an underestimation of the electromagnetic field strength cannot be excluded if the field strength measuring equipment is worn on the body. The ESM “RadMan” has been specially constructed to exclude the possibility of underestimating the electromagnetic field strength as far as possible.

Warning instructions

- Be advised that field strength can be attenuated by wet clothing. ESM “RadMan” should be worn outside the clothing to exclude the possibility of underestimating the electromagnetic field strength.
- Be advised that any kind of sticker or metallic label in the sensor area may lead to underestimated electromagnetic field strengths.
- Please note that the data stated in the specifications only applies under free field conditions. Neither the effects due to the person making the measurement nor the device behavior in the near field are taken into account.
- Be advised that the strengths of pulsed signals (e.g. radar signals) may be wrongly estimated by field strength measuring equipment. The ESM “RadMan” is however designed so that with the type of radar signals normally encountered it deviates slightly from the actual rms value. The 2250/01 and 2250/06 models are particularly recommended for the BGV B11 and ICNIRP standards, which stipulate a special evaluation method for such signals.
Contact your Sales Agent for more information, quoting the reference “Radar Application Note”.



Warning

- Strong, low-frequency electrical fields, for instance in the vicinity of high-voltage cables, may sometimes influence the displayed value, especially when the ESM “RadMan” is used as a rapid tester or as a leak locator.

Disposal in accordance with local regulations



The ESM “RadMan” is a high-quality instrument that will give you many years of reliable service. Nevertheless, even this product will eventually become obsolete. When that time comes, please remember that electronic equipment must be disposed of in accordance with local regulations.

The ESM “RadMan” conforms to the WEEE Directive of the European Union (2002/96/EC) and belongs to Category 9 (Monitoring and Control Instruments).

You can return the instrument to us free of charge for proper environment-friendly disposal. You can obtain further information from your local Narda Sales Partner or by visiting our website at www.narda-sts.com.

Notes:

Packing

Please retain the packing materials. These packing materials are designed so they can be reused. The original packing materials will reliably protect the device from damage in case you have to transport it later.

Pack contents check

The following are included with your ESM “RadMan”:

- ESM “RadMan” with absorber cap
- Batteries, 2 pieces
- Holster
- Earphone
- Operating manual
- Calibration certificate

Transport damage check

After unpacking the instrument check carefully for signs of damage that may have occurred during transport. This is particularly likely to be the case if the packing has been clearly damaged. Do not attempt to use an instrument that has been visibly damaged, as further damage may result.

Recovery after storage and transport

The guaranteed operating temperature range of the instrument is -10°C to $+50^{\circ}\text{C}$.

Condensation may form on equipment that has been stored or transported at low temperatures when it is brought into a warmer environment. To avoid damaging the instrument, wait until the condensation on the instrument has evaporated before switching on. If stored at a higher temperature, wait until it has cooled to within the operating range before switching on.

Power supply

ESM “RadMan” is battery powered.

- Two 1.5 V batteries, (alkaline Manganese AAA size), operating life typically 200 hours with cover closed (J).

ESM “RadMan” is shipped without batteries fitted.

Fitting the batteries

- ⇒ Make sure that the ESM “RadMan” is switched off.
- ⇒ Fit the batteries (see page 43).
- ⇒ Switch the ESM “RadMan” on after changing the batteries and monitor the self test (see page 21).
- ⇒ ESM-30 only:
Set the date and time to provide a reference for recorded data. To do this, use the ESM-TS Interface Set which is available as an option.

Controls and displays

Item number ¹	Meaning
A	Threaded bush for tripod or extension rod
B	Eyelet for fixing the absorber cap to the ESM using nylon cord
C	Yellow absorber cap with fixing clip
D	Isotropic E-field probe
E	Isotropic H-field probe
F	Loudspeaker with earphone connector
G	LEDs for displaying alarm stages and operation ("heartbeat")
H	Indication of applicable standard and frequency range
I	Eyelet for fixing the absorber cap to the ESM using nylon cord
J	Optical interface (including cover) for reading out measurement values ESM-30 only: Also for data recorder configuration and readout
K	On / off switch
L	Battery compartment
1 See the illustration on the inside back cover of this manual.	

Switching on ESM “RadMan”

Automatic switch on routine

The switch on routine has four main steps.

The end of each step and the beginning of the next is signaled by a “beep”.

- **Step 1:**
LED check
- **Step 2:**
Battery charge state check
- **Step 3:**
Function check of H-field sensor
- **Step 4:**
Function check of E-field sensor

Tip: The field sensors are activated separately in step 3 and 4, so they can be independently tested.

A test generator can be used to perform an extended function check of the H- and E-field sensors. (see page 39).

Switching on

⇒ Set the yellow on / off switch to the “ON” position.

Tip: Keep the protective cover over the optical interface closed if the interface is not in use. The interface is activated automatically when the cover is removed; this will reduce the battery operating life.

Switching on ESM “RadMan”

After switching on

After you switch on the ESM “RadMan”:

1. The LEDs light up briefly one after another, starting with the 12.5% LED. A “beep” is then heard.
2. The battery charge state is indicated. One of the four LEDs lights up.
 - **100% LED means:** More than 75% of the battery capacity is available.
 - **50% LED means:** More than 50% of the battery capacity is available.
 - **25% LED means:** More than 25% of the battery capacity is available.
 - **12.5% LED means:** Less than 25% of the battery capacity is available.
 - No LED lit means: Batteries need changing (see page 43).
A “beep” is then heard.
3. The H-field sensor is activated; the E-field sensor is inactive (see page 22).
A “beep” is then heard.
4. The E-field sensor is activated; the H-field sensor is inactive (see page 22).
A double “beep” is then heard.
5. ESM-30 only:
The data recorder is configured.
A triple “beep” is then heard.

The switch-on phase is complete.
The instrument is now ready for use.

Normal operation

Normal operation

The E- and H-fields are measured simultaneously during operation.

The larger of the two values is displayed.

If electromagnetic radiation is present, the ESM “RadMan” indicates the magnitude of the radiation level by means of four LEDs; alarms are additionally signaled by a “beep” from the loudspeaker.

Tip: If you want to measure the E and H fields separately when using your ESM, switch the unit off and then on again. The effective H field is displayed briefly during step 3 of the switch on routine. The effective E field is displayed briefly during step 4 (see page 21).

Display of measured values

12.5% LED indicates: 12.5% of the power density (= 35% of the field strength) permitted by the relevant standard has been reached. This state is indicated by a yellow LED.

25% LED indicates: 25% of the power density (= 50% of the field strength) permitted by the relevant standard has been reached. This state is indicated by a yellow LED.

50% LED indicates **alarm state**: 50% of the power density (= 70.7% of the field strength) permitted by the relevant standard has been reached.

Normal operation

This alarm state is indicated by a flashing red LED. The instrument will also emit an audible “beep” twice a second as an additional warning signal.

This status is maintained for as long as the ESM “RadMan” continues to measure this level of electromagnetic field strength.

100% LED indicates **alarm state**: 100% of the power density (= 100% of the field strength) permitted by the relevant standard has been reached.

This alarm state is indicated by a flashing red LED. The instrument will also emit an audible “beep” 4 times a second.

This status is maintained for as long as the ESM “RadMan” continues to measure this level of electromagnetic field strength.

Tip: The effect of electromagnetic radiation on the human body is primarily related to the power density and not the field strength. For this reason, the display is calibrated in units of power density.

Tip: By noting the different “beep” repetition rates, you can easily locate the field maxima without looking at the LEDs.

ESM-30 only: Data recorder

Automatic recording of measured values

The measured values are automatically displayed and recorded when the instrument is switched on. A new block of data is started each time the instrument is switched on.

Evaluating measurement values

The data blocks can be evaluated singly or together on a PC with the aid of the ESM-TS Interface Set, available as an option. All evaluations can be summarized and saved in a report.

Configuring the data recorder

The interval between saving consecutive measurement values can be set within a wide range using the ESM-TS Interface Set. The data set saved at the end of the save interval contains the RMS value, the maximum and the minimum value from all the H field and the E field values that were measured during the save interval (measurement interval 5 ms).

Operational readiness, Max Hold

The ESM “RadMan” indicates **operational readiness** every 10 seconds.

Operational readiness is indicated by an LED which depends on the electromagnetic radiation that has occurred or been measured. This also allows the magnitude of the highest measured value of electromagnetic radiation to be read off (**Max Hold**).

- Brief flashing of the 12.5% LED means:
The highest measured value of electromagnetic radiation was below 25% of the power density permitted by the relevant standard.
- Brief flashing of the 25% LED means:
The highest measured value of electromagnetic radiation was at least 25% of the power density permitted by the relevant standard but was less than 50% of the power density permitted by the relevant standard.
- Brief flashing of the 50% LED means:
The highest measured value of electromagnetic radiation was at least 50% of the power density permitted by the relevant standard but was less than 100% of the power density permitted by the relevant standard.
- Brief flashing of the 100% LED means:
The highest measured value of electromagnetic radiation was at least 100% of the power density (= 100% of the field strength).

Tip: Note the information regarding display of measured values (see page 22).

Operational readiness, Max Hold

If the battery capacity is only sufficient for a few more hours of operation, the LED display of operational readiness is replaced by a brief “beep”.

Maximum value (Max Hold)	LED display	Battery status	Loud-speaker
≥100%	100%	Full	-
≥100%	100%	Empty	Beep
≥50%	50%	Full	-
≥50%	50%	Empty	Beep
≥25%	25%	Full	-
≥25%	25%	Empty	Beep
<25%	12.5%	Full	-
<25%	12.5%	Empty	Beep

Resetting the Max Hold function

⇒ Switch the ESM “RadMan” off and then on again.

Areas of use

ESM “RadMan” has the following main areas of use.

- As a warning unit
- As a rapid tester
- As a leak locator
- ESM-30 only:
Data recorder

General handling instructions

Moving the instrument rapidly in an electrostatic field can have a disruptive influence. The effects of this have been minimized in the ESM “RadMan” by means of special construction features. Despite this, moving the instrument very quickly can produce field strengths that are too high by several V/m.

Tip: Hold the ESM “RadMan” as still as possible to make accurate measurements.

In the immediate vicinity of a weak transmitter such as a cell phone, the alarm threshold can be exceeded locally without any actual risk arising. The standards implemented in the ESM “RadMan” are based on full-body exposure in a far-field. (Special standards apply to near-field measurements, e.g. on cell phones.)

Tip: Check whether the alarm persists at a minimum distance of 30 cm from the field source or from secondary radiators.

Applications and use

Using ESM as a personal warning unit

Application

The ESM “RadMan” is worn on the body, preferably by placing it in the breast pocket of your shirt or jacket.

Preparation

⇒ Slide the yellow absorber cap over the end of the instrument.

The labels “E-Field” and “H-Field” are no longer visible.

The clip should point to the LED side.

⇒ Slip the ESM “RadMan” into the breast pocket of your shirt or jacket, with the LED indicator side of the ESM “RadMan” pointing away from your body.

Tip: The ESM “RadMan” should lie flat against your body. Be advised that damp clothing can affect the measurement.



Procedure

⇒ Stand in your normal working position and slowly turn around through a complete circle.

This allows ESM “RadMan” to better detect radiation sources that are behind your back when you are working normally.

⇒ If the alarm sounds, leave the danger area carefully and without panic.

Tip: If you are working in the vicinity of short-wave or very short wave transmitters, ESM “RadMan” may overestimate the levels of electromagnetic radiation that are present.

This is caused by proximity effects of the human body acting on the electromagnetic radiation. In such cases, hold the ESM “RadMan” in your hand or screw it on to the extension rod (accessory). Refer to the next section for details.

Applications and use

Using ESM as a rapid tester

Application

Wherever it is likely that electromagnetic radiation levels may be overestimated due to proximity effects of the human body (e.g. when working in the vicinity of short-wave or very short wave transmitters), use ESM “RadMan” as a rapid tester.

In this way, you can monitor your environment or get a quick picture of the field strengths that are present.

Preparation

- ⇒ Slide the yellow absorber cap over the battery compartment.
The “narda” marking is no longer visible.
Field reflections caused by the human body are no longer screened.
The clip should point to the LED side.
- ⇒ If required: Screw the extension rod on to the absorber cap.
- ⇒ If required: Screw the yellow absorber cap to a non-metallic tripod.

Procedure

- ⇒ Check your environment for sources of electromagnetic radiation.
- ⇒ If required: Screw the extension rod on to the absorber cap.
- ⇒ After the check, screw the ESM “RadMan” to a non-metallic tripod so that you can work in the area and still be warned of any dangerous electromagnetic radiation levels.

Tip: The further the ESM “RadMan” is held away from your body, the more accurate the measurement as the proximity effects of the body are reduced.

Tip: If the ESM-TS Interface Set is used, the E-field and H-field strengths can be shown separately as percentages of the standard limit values (see page 36).

Note: The rapid tester function of the ESM “RadMan” is limited at frequencies < 27 MHz, e.g. medium-wave transmitters.

Applications and use

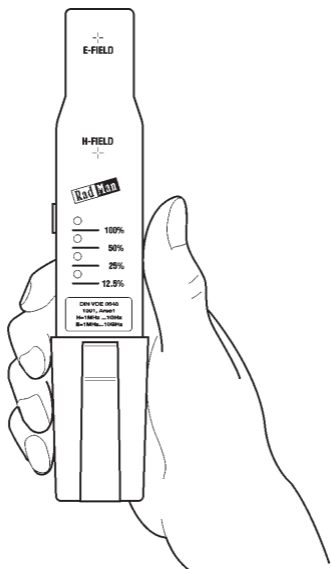
Using ESM as a leak locator unit

Application

The ESM “RadMan” is used to detect leaks in waveguides.

Preparation

- ⇒ Slide the yellow absorber cap over the battery compartment.
The “narda” marking is no longer visible.
The clip should point to the LED side.
- ⇒ If required: Screw the extension rod on to the absorber cap.



Procedure

- ⇒ Hold the ESM “RadMan” at arm’s length.
- ⇒ Move the ESM “RadMan” slowly along the waveguide at a relatively large distance from it.
- ⇒ If a leak is suspected, slowly move the ESM “RadMan” closer to the suspected location.
- ⇒ Once the 100% alarm stage has been reached, do not move the instrument any closer to the waveguide.

Tip: The distance to the location of the leak should be a minimum of 3 cm, otherwise the effects of the ESM “RadMan” field sensors on the field to be measured can no longer be ignored.

Tip: To determine cable damage reliably, move ESM “RadMan” slowly over the cable being checked.

Using ESM-30 as a data recorder

Applications

The data recorder records the variation with time of the surrounding electromagnetic radiation.

If ESM-30 “RadMan XT” is worn as a warning unit, the exposure of the wearer during the course of the working day can be recorded.

If ESM-30 “RadMan XT” is used as a rapid tester, it records the profile of the flux density in the area under test.

Procedure

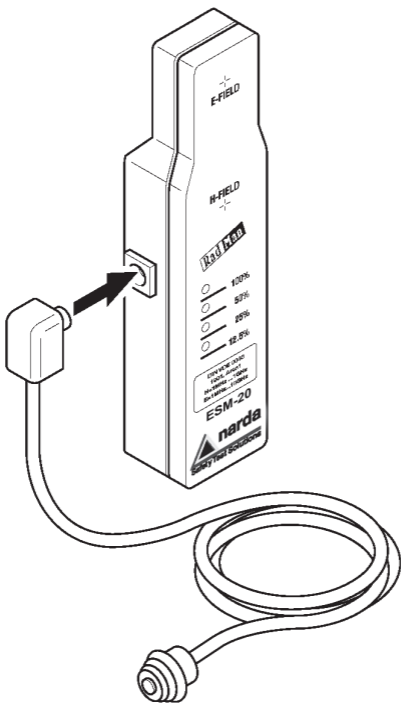
- ⇒ Wear ESM-30 “RadMan XT” as a warning unit on the body as described above.
– or –
- ⇒ Fit ESM-30 “RadMan XT” to a non-metallic tripod and use it as a rapid tester.
- ⇒ Switch the unit on to start testing.
- ⇒ Evaluate the recorded values using the ESM-TS Interface Set available as an option.

Tip: The ESM-TS Interface Set can be used to configure recording and to export the recorded data for evaluation using the software of your choice.

Applications and use

Connecting the earphone

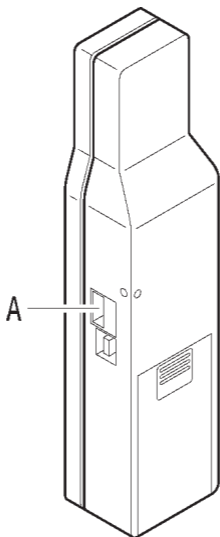
The earphone supplied can be connected to the ESM “RadMan” so that the audible alarm can still be heard reliably even in areas where high noise levels are present.



Applications and use

Reading out measured values

The measured values can be read out via the optical interface (A) of the ESM "RadMan". Data is transferred at a rate of 25 measured values per second.



The E-field and H-field values are output separately with much higher accuracy than the LED display.

Applications and use

The ESM-TS Interface Set is required to read out the measured values from the ESM “RadMan”. It includes software, a fiber optic cable, and an opto/electric converter with USB connector.

The software program allows a wide range of remote control functions and also allows measured values to be read out and saved.

The protective cover over the optical interface must be opened in order to connect the fiber optic cable to the ESM “RadMan”.

⇒ Close the protective cover again when you unplug the fiber optic cable.

ESM-30 only:

Data recorded using the ESM-30 “RadMan XT” can be easily evaluated in various ways and printed out as a report.

Bibliography

Standards and Guidelines

- DGUV 15 (BGV B11), 2002 – Occupational safety guideline of the employers' liability insurance association. Guideline on electromagnetic fields
- IEEE C95.1-2005, IEEE Standard for Safety Levels with Respect to Human Exposure to Radio Frequency Electromagnetic Fields, 3 kHz to 300 GHz
- WHO Environmental Health Criteria 137 Electromagnetic Fields (300 Hz to 300 GHz)
- ICNIRP, April 1998 Guidelines for limiting exposure to time-varying electric, magnetic and electromagnetic fields (up to 300 GHz)

Technical article

Martin Schallner; Jan Waldmann; Stefan Hübner; Friedrich Landstorfer; Helmut Keller; and Rainer Bitzer:

The Influence of the Human Body on Electric and Magnetic Field Components in the Immediate Vicinity of the Body.

Der Einfluß des menschlichen Körpers auf die elektrischen und magnetischen Feldkomponenten in unmittelbarer Nähe des Körpers.

“Frequenz”, Vol. 52 (September/October 1998), pp. 170-174

Standards-compliant test of non-ionizing electromagnetic radiation on radar equipment.
Author: Dr. Rainer Bitzer

See also www.narda-sts.com

Checking field probe function

Checking the function

The sensor functions of the ESM “RadMan” can be checked with the aid of a Test Generator (BN 2244/90.38).

The H-field and E-field sensors are tested separately.

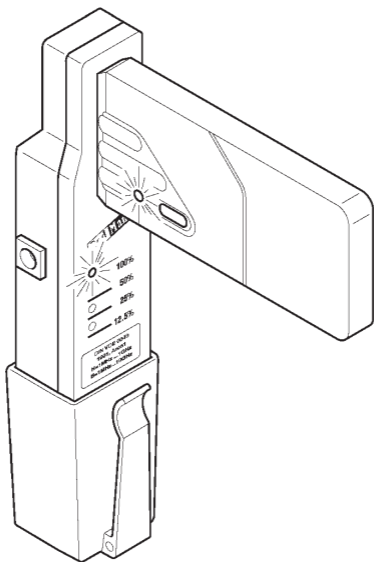
1. Place the Test Generator in the vicinity of the sensors.
2. Press the button on the Test Generator.
3. Switch on the ESM.
The self-test runs automatically.
4. Wait until the H-field sensor is checked
At least the 12.5% LED must light up.
5. Wait until the E-field sensor is checked.
At least the 12.5% LED must light up.
6. Switch off the Test Generator.

Tip: Switch the Test Generator off before you hear the double “beep”, otherwise the ESM “RadMan” will save the measured value of radiation (Max Hold).

If you switch off the Test Generator after the double “beep”, switch the ESM “RadMan” off and then on again to clear the Max Hold state.

Checking field probe function

Tip: Make sure that the Test generator batteries are not run down, otherwise the output power of the generator will be insufficient to properly test the field sensors.



Although performing an extended self-test with the aid of the Test Generator may permit a fault to be detected, it provides no guarantee that all sensors are measuring correctly, for instance after inexpert handling such as when they are dropped from a great height. If in doubt, we therefore advise you to return the equipment to the manufacturer for more comprehensive testing.

Repairs

ESM “RadMan” may only be repaired by authorized service centers. Please contact your sales office.

The casing screws are sealed. If the casing screw seals are damaged, no guarantee claims will be entertained.

Cleaning

Use only warm water to which a little detergent has been added for cleaning the casing of the ESM “RadMan”.

Moisten a soft cloth with this and wipe off the surface of the ESM “RadMan” casing.

Make sure that water does not get in behind the LEDs, loudspeaker, optical interface, on / off switch.

Calibration

Calibration

Each ESM “RadMan” is calibrated and adjusted before it leaves the factory.

Each instrument is calibrated and adjusted separately for the E-field and H-field at the alarm threshold of 100 MHz and at 50% of standard limit value.

The E- and H-field sensors are calibrated and adjusted separately.

It is recommended that the instrument be recalibrated every three years.

If your ESM “RadMan” requires calibration and adjustment, contact your nearest Service Center.

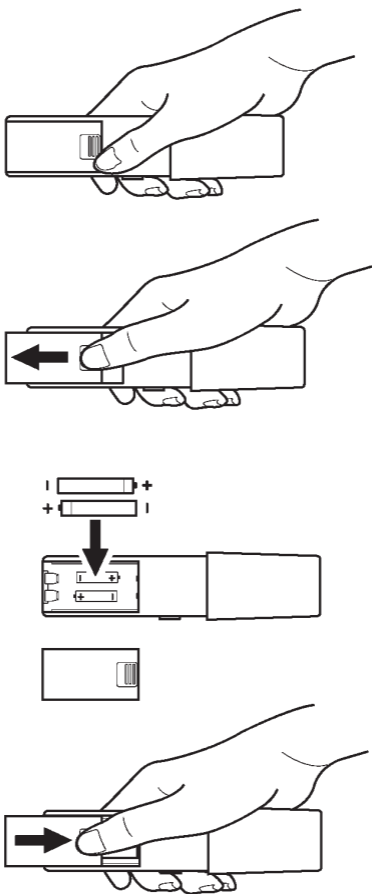
Changing the batteries

Changing the batteries

Tip: Only use 1.5 V AAA size alkaline manganese batteries.

1. ESM-30 only:
Switch on the ESM-30 “RadMan XT” and monitor the self test (see page 21).
If none of the LEDs lights up during the test, you should set the date and time again after you have replaced the batteries.
2. Switch off the ESM “RadMan”.
3. Replace the old batteries with fresh ones. Make sure that they are inserted with correct polarity (see page 44).
4. Switch the ESM “RadMan” on after replacing the batteries and monitor the self test routine.
5. ESM-30 only:
If none of the LEDs lit up during the test (item 1 above) it is a good idea to set the date and time again now using the ESM-TS Interface Set, which is available as an option.

Changing the batteries



Miscellaneous

All the data specified here is valid under the following conditions unless otherwise stated:

- ✓ Sinusoidal signals
- ✓ The instrument is located in the far field region of the source
- ✓ Ambient temperature: $23^{\circ}\text{C} \pm 3^{\circ}\text{C}$
- ✓ Relative humidity: 25% to 75%

The data include all relevant partial errors for calculating the overall error to IEC 359.

Alarm threshold at the calibration frequency

- 50% of standard value ± 1.0 dB, individually calibrated.
Calibration frequency: 100 MHz

Visible display

- Display using 4 LEDs
Thresholds at 12.5%, 25%, 50% and 100% of standard value
- The display is calibrated in terms of relative power flux density. 50% of the power flux density of the standard corresponds to an E-field or H-field strength of 70.7% of the limit value in the relevant standard.
- The E- and H-field components are measured simultaneously. The largest value is displayed.

Specifications

Audible warning

- Built-in loudspeaker
- Audible alarm if alarm threshold exceeded (50% of relevant standard value)
- “Beep” repetition rate: 2 Hz starting at 50% of standard, 4 Hz starting at 100% of standard.

Frequency response evaluation and limit values according to different standards

ESM “RadMan” is available in a wide range of different versions. Please refer to the tables on page 57 and page 58. The frequency range values printed on the instrument apply in each case.

Frequency response

Frequency response referred to calibration frequency with ideal approximated limit curve

Sensor	Frequency range	Typical deviation
H-field	up to 1 GHz	+3 dB / -3 dB
E-field ¹⁾	up to 3 GHz	+3 dB / -3 dB
	3 GHz to 10 GHz	+4 dB / -3 dB
	10 GHz to 18 GHz	+6 dB / -3 dB
	18 GHz to 40 GHz	+6 dB / -10 dB

1) ESM-10 “RadMan Mobile” is restricted to 6 GHz

The limit value traces in the standards exhibit sharp edges. These limit value traces are simulated in the ESM “RadMan” by means of equalizer networks. The frequency response quoted refers to the characteristic of an ideal equalizer circuit containing only 1st order decoupled components.

The H-field sensor should not contribute to the measured signal at frequencies above 1 GHz, and may at most only contribute the amount that would accrue if it were specified up to 18 GHz. The H-field sensor may cause a slight overestimation of the actual exposure level in narrow frequency ranges above 1 GHz.

Isotropy

27 MHz to 500 MHz +4/-2 dB

Overload limit

CW over standard +20 dB
but not more than
10 kV/m or 26.5 A/m

Pulse < 10 μ s
over standard +40 dB
but not more than
100 kV/m or 256 A/m

Radiation immunity

at 50/60 Hz 1 kV/m

Specifications

ESM-30 only: Data recorder

Save interval:

The time between consecutive saves of recorded data can be set between 1 second and 3 minutes using the ESM-TS Interface Set.

Data set:

The r.m.s., maximum and minimum values are calculated continuously during the selected save interval (the interval between measurements is 5 ms, all data are referred to the relevant permitted power flux density in the same way as the displayed value).

The data for the E-field and H-field are saved in the data recorder as a data set with a timestamp at the end of each save interval.

Data block:

All data sets recorded between switching on and switching off the ESM-30 “RadMan XT” are combined into a data block. Several data blocks can be stored in the data recorder at any one time. These data blocks are accessed by the ESM-TS Interface Set for evaluation.

Accessing the data using ESM-TS may result in a brief interruption in the data recording. If this happens, the current data block will be closed and a new data block started after the interruption.

Capacity:

The typical capacity is 1600 data sets, corresponding to about 27 hours operation at a save interval of 1 minute. The oldest recorded values will be overwritten if the memory capacity is exceeded (ring memory).

Built-in clock:

Date and time data are provided from a built-in clock module, which is powered from the normal batteries. You have at least 30 seconds in which to change the batteries if the ESM-30 "RadMan XT" is switched on before replacing the batteries and the self test has been completed successfully. Otherwise, you should check the time settings. The date and time are set using the ESM-TS Interface Set which is available as an option.

Interfaces

The data from the E-field and H-field probes can be output separately using the optional ESM-TS Interface Set.

- The resolution of the data is 0.625% of the standard limit value in this case.
- 25 measured values are transferred per second.

Specifications

ESM-30 only:

The following additional functions are available:

- Read out values recorded in the data recorder.
The transfer time for all the data when the data recorder is completely full is less than 5 minutes.
- Select the save interval:
The time between consecutive saves of recorded data can be set in several steps between 1 second and 3 minutes.
- Set date and time.
- Comprehensive evaluation, storage and exporting of data.

General information

Power supply

Batteries 2 size AAA,
alkaline manganese
primary cells

Operating time typ. 200 hours
(without alarms,
interface cover closed)

Battery
status display by LEDs when
switching on the unit

Dimensions

26.0 mm x 36.4 mm x 157 mm

With cap
as absorber 36.6 mm x 41.0 mm x 163 mm

With cap
as grip 36.6 mm x 41.0 mm x 197 mm

Weight

Including cap and batteries 130 g

Calibration

Each instrument is calibrated and adjusted separately for the E-field and H-field at the alarm threshold of 100 MHz and at 50% of standard limit value.

The recommended calibration interval is every 3 years.

General information

Declaration of origin

Country of origin: Germany

Ambient temperature

Nominal range of use -10°C to 55°C

Storage and transport -40°C to 70°C

Environment classes

IEC 60721-3-2 class 7K2

ESM-10 Declaration of Conformity



Supplier's Declaration of Conformity

(in accordance with ISO/IEC 17050-1)

SDoC no.: 2016-04
Issuer's name: Narda Safety Test Solutions GmbH (manufacturer)
Issuer's address: Sandwiesenstr. 7, D-72793 Pfullingen, Germany
Object of declaration:

Model No.	Part No.	Designation
ESM-10	2252/01...10	Personal Monitor

The object of the declaration described above is in conformity with the requirements of the following documents:

Documents No.	Title
2014/30/EU	Directive of the European Parliament and of the Council on the harmonisation of the laws of the Member States relating to electromagnetic compatibility (previously 2004/108/EC)
EN 61326-1: 2013	Electrical equipment for measurement, control and laboratory use - EMC requirements - Part 1: General requirements
2014/35/EU	Directive of the European Parliament and of the Council on the harmonisation of the laws of the Member States relating to the making available on the market of electrical equipment designed for use within certain voltage limits (previously 2006/95/EC)
EN 61010-1: 2010	Safety requirements for electrical equipment for measurement, control, and laboratory use - Part 1: General requirements

Signed for and on behalf of: Narda Safety Test Solutions GmbH

Place and date of issue: Pfullingen, 2016-05-10

Signature:

Name, function: Ansgar Heege, Director Production

ESM-20 Declaration of Conformity



Supplier's Declaration of Conformity

(in accordance with ISO/IEC 17050-1)

SDoC no.: 2016-02

Issuer's name: Narda Safety Test Solutions GmbH (manufacturer)

Issuer's address: Sandwiesenstr. 7, D-72793 Pfullingen, Germany

Object of declaration:

Model No.	Part No.	Designation
ESM-20	2250/01...10	Personal Monitor
	2250/40	
	2250/51	
	2250/52	
	2250/53	
	2250/54	
	2250/55	
	2250/56	
	2250/58	
	2250/59	
	2250/60	

The object of the declaration described above is in conformity with the requirements of the following documents:

Documents No.	Title
2014/30/EU	Directive of the European Parliament and of the Council on the harmonisation of the laws of the Member States relating to electromagnetic compatibility (previously 2004/108/EC)
EN 61326-1: 2013	Electrical equipment for measurement, control and laboratory use - EMC requirements - Part 1: General requirements
2014/35/EU	Directive of the European Parliament and of the Council on the harmonisation of the laws of the Member States relating to the making available on the market of electrical equipment designed for use within certain voltage limits (previously 2006/95/EC)
EN 61010-1: 2010	Safety requirements for electrical equipment for measurement, control, and laboratory use - Part 1: General requirements

Signed for and on behalf of: Narda Safety Test Solutions GmbH

Place and date of issue: Pfullingen, 2016-05-10

Signature:

Name, function: Ansgar Heege, Director Production

ESM-30 Declaration of Conformity



Supplier's Declaration of Conformity

(in accordance with ISO/IEC 17050-1)

SDoC no.: 2016-03

Issuer's name: Narda Safety Test Solutions GmbH (manufacturer)

Issuer's address: Sandwiesenstr. 7, D-72793 Pfullingen, Germany

Object of declaration:

Model No.	Part No.	Designation
ESM-30	2251/01...10	Personal Monitor
	2251/16	
	2251/51	
	2251/56	
	2251/71	
	2251/72	
	2251/76	
	2251/79	
	2251/56	
	2251/80	
	2251/86	

The object of the declaration described above is in conformity with the requirements of the following documents:

Documents No.	Title
2014/30/EU	Directive of the European Parliament and of the Council on the harmonisation of the laws of the Member States relating to electromagnetic compatibility (previously 2004/108/EC)
EN 61326-1: 2013	Electrical equipment for measurement, control and laboratory use - EMC requirements - Part 1: General requirements
2014/35/EU	Directive of the European Parliament and of the Council on the harmonisation of the laws of the Member States relating to the making available on the market of electrical equipment designed for use within certain voltage limits (previously 2006/95/EC)
EN 61010-1: 2010	Safety requirements for electrical equipment for measurement, control, and laboratory use - Part 1: General requirements

Signed for and on behalf of: Narda Safety Test Solutions GmbH

Place and date of issue: Pfullingen, 2016-05-10

Signature:

Name, function:

Ansgar Heege, Director Production

Instrument versions

ESM-10 “RadMan Mobile”

Standard	Frequency range		Part number
	H-field	E-field	
FCC 96-326, Aug. 1996, occupational	50 MHz to 1 GHz	50 MHz to 6 GHz	2252/02
ICNIRP, 1998, occupational	50 MHz to 1 GHz	50 MHz to 6 GHz	2252/06

The frequency range values printed on the instrument are applicable in each case.

All ESM-10 “RadMan Mobile” devices have a long integration time (slow response).

Instrument versions

ESM-20 “RadMan”

Standard	Frequency range		Part number fast response ¹	Part number slow response ²
	H-field	E-field		
BGV B11, 2001, EXP. 1	1 MHz to 1 GHz	1 MHz to 40 GHz	2250/01	2250/51
FCC 96-326, Aug. 1996, occupational	3 MHz to 1 GHz	3 MHz to 40 GHz	2250/02	2250/52
Japan, RCR-STD-38, working	3 MHz to 1 GHz	3 MHz to 40 GHz	2250/03	2250/53
ICNIRP, 1998, occupational	27 MHz to 1 GHz	1 MHz to 40 GHz	2250/06	2250/56

- 1 Integration time of E-field sensor: 30 ms;
H-field sensor: 1 s
- 2 Integration time of E-field sensor: 1 s;
H-field sensor: 1 s

The frequency range values printed on the instrument are applicable in each case.

Instrument versions

ESM-30 “RadMan XT”

Standard	Frequency range		Part number fast response ¹	Part number slow response ²
	H-field	E-field		
BGV B11, 2001, EXP. 1	1 MHz to 1 GHz	1 MHz to 40 GHz	2251/51	2251/01
FCC 96-326, Aug. 1996, occupational	3 MHz to 1 GHz	3 MHz to 40 GHz	–	2251/02
JAPAN, RCR-STD-38, working	3 MHz to 1 GHz	3 MHz to 40 GHz	–	2251/03
ICNIRP, 1998, occupational	27 MHz to 1 GHz	1 MHz to 40 GHz	2251/56	2251/06
ICNIRP, 1998, general public	–	1 MHz to 40 GHz	–	2251/16

- 1 Integration time of E-field sensor: 30 ms;
H-field sensor: 1 s
- 2 Integration time of E-field sensor: 1 s;
H-field sensor: 1 s

The frequency range values printed on the instrument are applicable in each case.

Standard accessories

Earphone for audible alarm	2250/92.01
Battery, dry-cell	2250/92.10
Belt bag	2250/92.06
Operating manual	
German	2250/98.01
English	2250/98.21

Optional accessories

27 MHz Test Generator	2244/90.38
Extension rod	2250/92.02
ESM-TS Interface Set	2251/90.51
Hardcase	2250/92.03
Accessory kit (handle, storage case)	2250/92.05
Tripod benchtop 0.16 m	2244/90.32

Narda Safety Test Solutions GmbH

Sandwiesenstraße 7

72793 Pfullingen, Germany

Tel. +49 7121 97 32 0

Fax +49 7121 97 32 790

support.narda-de@L-3com.com

www.narda-sts.com

Narda Safety Test Solutions

435 Moreland Road

Hauppauge, NY 11788, USA

Phone +1 631 231-1700

Fax +1 631 231-1711

NardaSTS@L-3COM.com

www.narda-sts.us

Narda Safety Test Solutions Srl

Via Leonardo da Vinci, 21/23

20090 Segrate (Milano), Italy

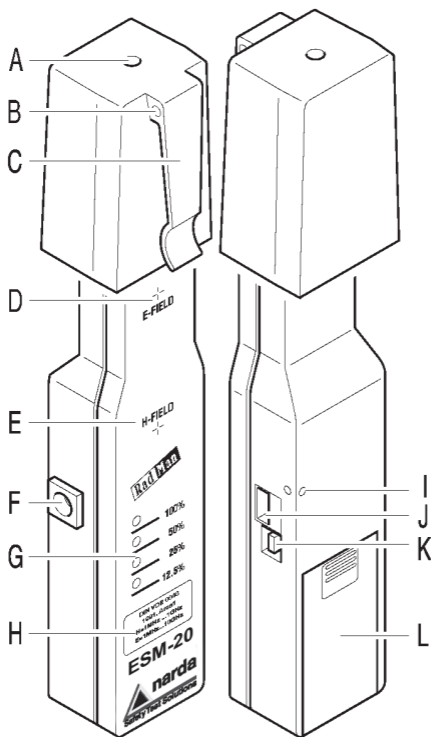
Phone +39 02 26 998 71

Fax +39 02 26 998 700

nardait.support@L-3com.com

www.narda-sts.it

® The name and logo are registered trademarks of Narda Safety Test Solutions GmbH and L3 Communications Holdings, Inc. Proprietary names are the trademarks of their respective owners.



The key to this diagram is shown on the inside front cover. See also page 19.

ESM “RadMan”

BN 2250/xx, BN 2251/xx and BN 2252/xx

Brief operating instructions

After switching on

1. The LEDs light up briefly one after another, starting with the 12.5% LED.
A “beep” is then heard.
 2. The battery charge state is indicated. One of the four LEDs lights up.
 - **100% LED means:** More than 75% of the battery capacity is available.
 - **50% LED means:** More than 50% of the battery capacity is available.
 - **25% LED means:** More than 25% of the battery capacity is available.
 - **12.5% LED means:** Less than 25% of the battery capacity is available.
 - No LED lit means: Batteries need changing. ESM “RadMan” will soon no longer be operational.A “beep” is then heard.
 3. The H-field sensor is activated; the E-field sensor is inactive.
A “beep” is then heard.
 4. The E-field sensor is activated; the H-field sensor is inactive.
A double “beep” is then heard.
 5. ESM-30 only:
The data recorder is configured.
A triple “beep” is then heard.
- The instrument is now ready for use.



an  Communications Company